

FEATURES

- **4 Channels of Thermocouple Input (04TC)**
- **4 Channels of Thermal Resistance (RTD Input (04RD)**
- **24-bit Resolution**
- **Support J-type, K-type, E-type, S-type, T-type Thermocouples (04TC)**
- **Cold Junction Compensation, External Compensation Optional (04TC)**
- **Support PT100, Cu50, Pt1000 Resistance Forms (04RD)**
- **Support two-wire, three-wire, connection methods (04RD)**
- **Accuracy 0.1% F.S. (Full Scale) (04TC)**
- **Temperature $\pm 0.6^{\circ}\text{C}$; Resistance ± 10 (04RD)**



DESCRIPTION

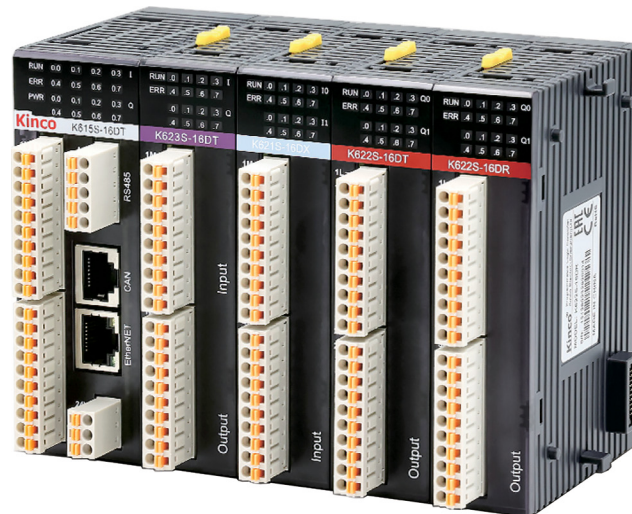
The K631S Expansion Modules are offered with 4 Analog Inputs for temperature sensing. The optional expansion modules are attached to the K615S CPU to expand beyond the onboard inputs and outputs. The K615S CPUs can handle up to 272 I/O points with a maximum of 16 K6S expansion modules.

SPECIFICATIONS

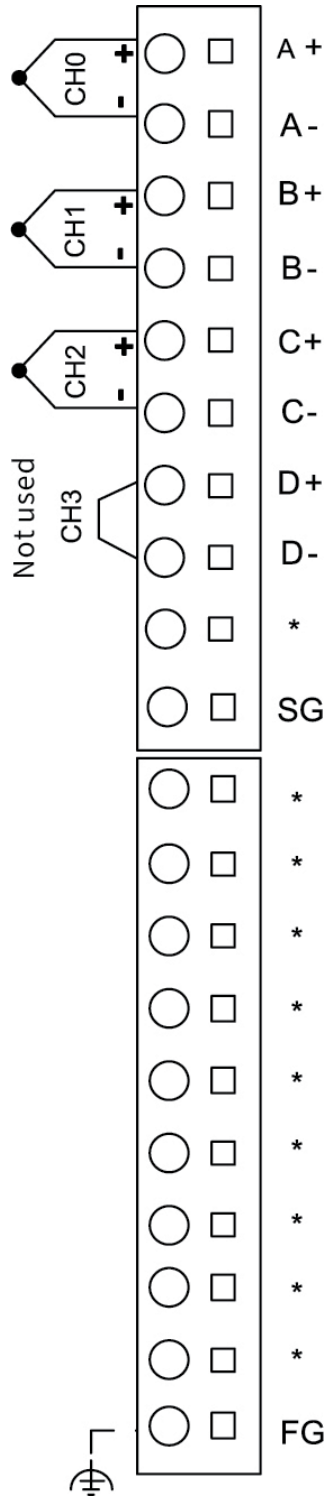
Parameter	K631S-04TC
Channels(TC)	4
Type of Signal	J-type, K-type, E-type, S-type, T-type
Compensation Method	Thermocouple cold junction compensation (CJC) options include internal and external compensation.
Resolution (including sign bit)	24 bits
Accuracy	0.1% F.S.
Conversion Rate (per channel)	Approximately 1 time/second
Input Impedance	>20K Ω
Status Indication	The corresponding channel LED will turn red to indicate that the input value has exceeded the selected range.
AI Image Area	8 Bytes (2 Bytes/Channel)
AO Image Area	-

Parameter	K631S-04RD
Channels(RDT)	4
Rated Power Supply	DC 24V, ≥100mA
Type of Signal	Pt100, Cu50, Pt1000, Resistor
Wiring-type	Two-wire or Three-wire
Resolution (including sign bit)	24 bits
Accuracy	Temperature: ±
Conversion Rate (per channel)	Approximately 1 time/second
Status Indication	The corresponding channel LED will turn red to indicate that the input value has exceeded the selected range.
AI Image Area	8 Bytes (2 Bytes/Channel)
AO Image Area	-

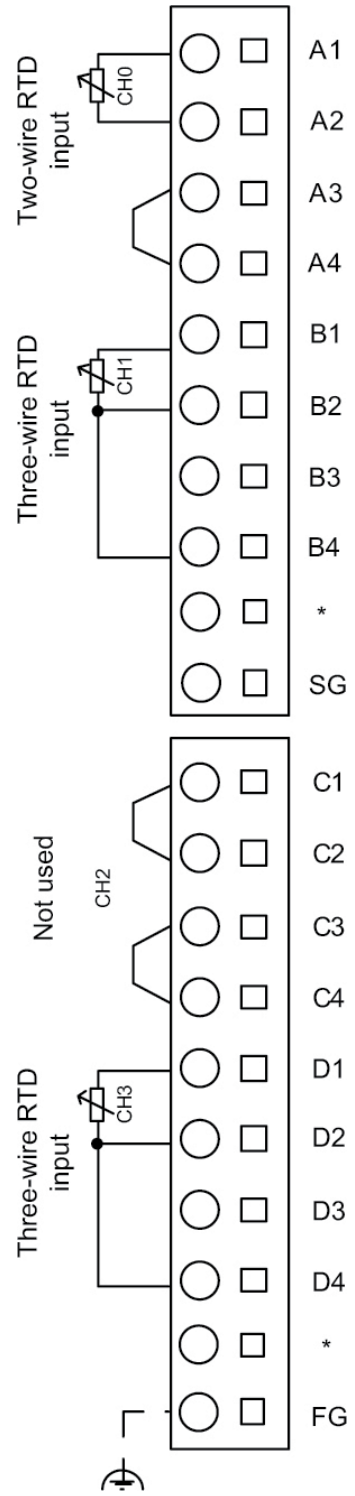
(Example of Expansion Modules Connected Together)



K631S-04TC



K631S-04RD



DIMENSIONS

K631S

