

PLC-K522 - Discrete Output Expansion Modules **Kinco**

FEATURES

- **8 or 16 Outputs**
- **Transistor or Relay Options**
- **Transistor Outputs are Rated for 500 mA @ 24 Vdc**
- **Relay Outputs are Rated for 2 A @ 30 Vdc or 250 Vac**
- **Transistor Outputs are Opto-isolated**
- **LED Display to Monitor Running Conditions**
- **Easy Maintenance and Installation**



DESCRIPTION

The PLC-K522 Discrete Output Expansion Modules are offered in Transistor or Relay and 8 or 16 outputs. These modules are attached to the PLC-K5 CPUs to expand beyond the onboard outputs. The PLC-K5 CPUs can handle up to 136 I/O points with a maximum of 6 expansion modules. If a user were to select the PLC-K508-40AT along with 6 PLC-K522-16DT units, the user would achieve the maximum 136 I/O points within the constraint of 6 expansion modules. The PLC-K522-__DT modules come with transistor outputs with a sourcing configuration. A sourcing output is internally pulled down to ground; the current wants to flow into the output. The-PLC-K522-__XR modules come with relay outputs that can handle loads up to 30 Vdc and 250 Vac. Relay outputs are great to drive AC or DC motors or turn any AC or DC device on. The transistor output modules are opto-isolated for unit protection.

SPECIFICATIONS

Parameter	PLC-K522-08DT	PLC-K522-16DT	PLC-K522-08XR	PLC-K522-16XR
Output Points	8	16	8	16
Output Type	Transistor (Sourcing)		Relay	
Output Voltage	Rated: 24 Vdc Allowable Range: 20.4 - 28.8 Vdc		Max 30 Vdc or Max 250Vac	
Output Current/ Channel	500 mA @ 24 Vdc		2 A @ 30 Vdc or 250 Vac	
Output Off-to-On Delay	---		Max 10 ms	
Output On-to-Off Delay	---		Max 5 ms	
Isolation Mode	Opto-Electrical Isolation Between Input Signal and Internal Circuit		Relay	
Isolation Voltage	500 Vac / 1 Minute		2,000 Vrms Between Coil and Contact 1,000 Vrms Between Contacts	
Signal Identification	Separate LED Indicators for Each Channel			
Module Width	50 mm	75 mm	50 mm	75 mm

L011337

PLC-K522 - Discrete Output Expansion Modules **Kinco**

EXPANSION

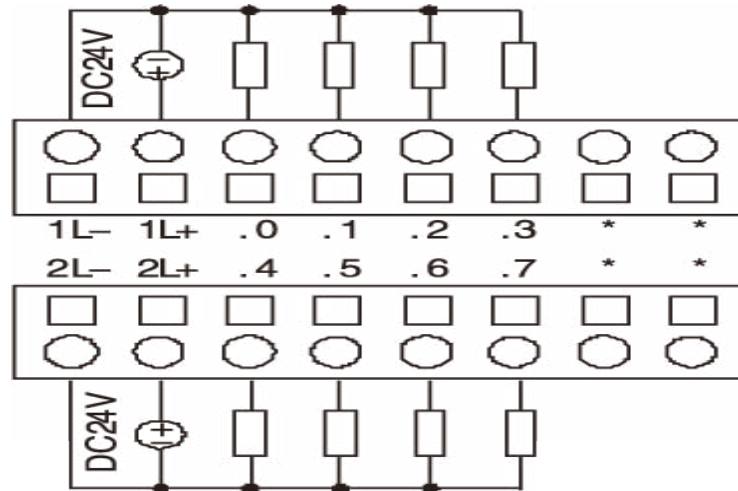


In each system, the CPU module is arranged in the leftmost end, and expansion modules are connected to the expansion interface on the right.

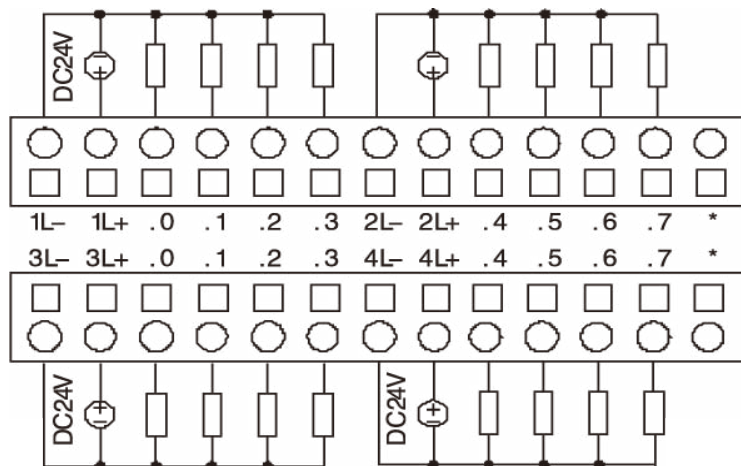
A cable slot is designed on the left side of each expansion module. The expansion cable can be put in the cable slot to ensure seamless interconnection between modules after installing.

WIRING DIAGRAM

PLC-K522-08DT

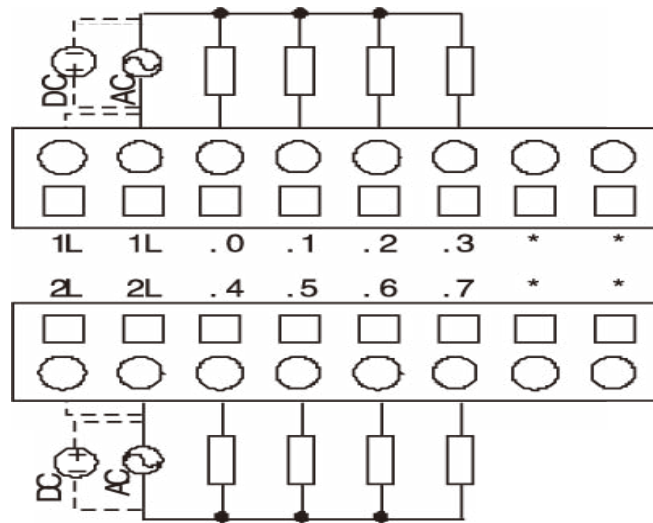


PLC-K522-16DT

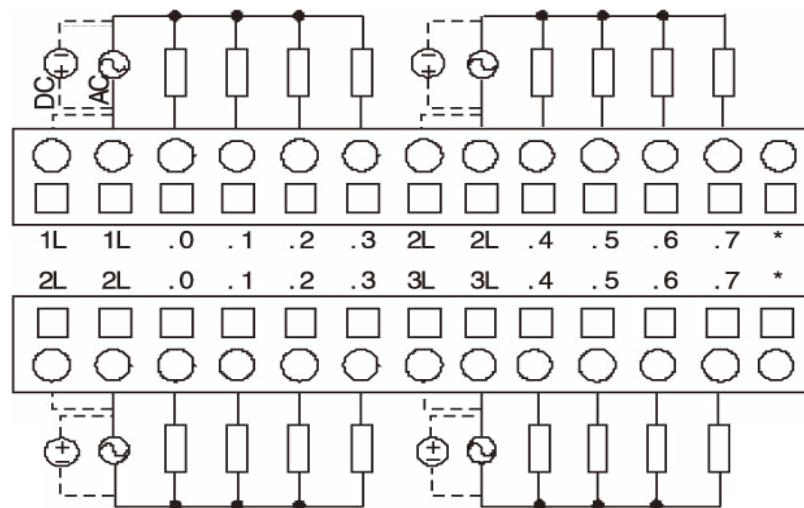


L011337

PLC-K522-08XR



PLC-K522-16XR



L011337