

HMI-G070 Series

FEATURES

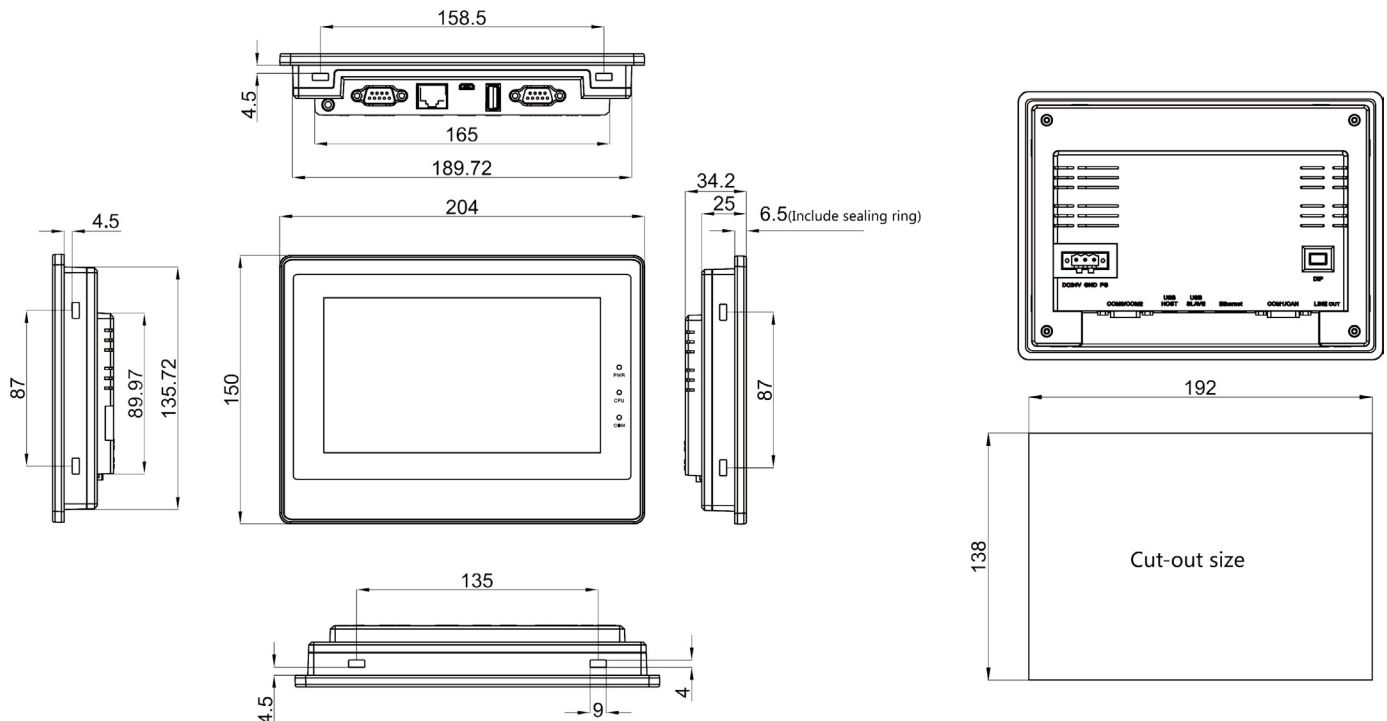
- Ethernet/CAN Open models available
- 16.77m (24 Bits) True Color
- 32-Bit 792 MHz ARM RISC CPU
- Real-Time Clock, Reserve Time for More than 2 Years at Power Off State
- 3 COM Ports, Supports Simultaneous Communications, Supports RS232/RS485/RS422
- 24 VDC Input Voltage
- CE Certified
- 128MB NAND FLASH + 128MB DDR3 Memory



DESCRIPTION

The Green Series G070 is the most modern and powerful HMI product that will make your application work seamlessly, without missing a step. The G070 Series has a new structure and elegant body, compared to previous HMI's. This HMI line comes with a 16.77 million Color Display mode that gives your touch screen rich color and incomparable resolution. The Green Series products use the most advantageous ARM Cortex-A7 architecture industrial-grade processors, which ensure that the HMI's work efficiently. Furthermore, it has a much higher hardness and intensity with a higher temperature resistance. Each HMI supports simultaneous communications via its multiple serial ports, so that you can connect to different controllers at the same time. With the simple, convenient and powerful DTools configuration software, the user can master its design method and create first-class programs efficiently.

DIMENSIONS



L011781

HMI-G070 Series



SPECIFICATIONS

MODEL	G070	G070E	G070E-CAN
Performance Specification			
Display	7" TFT		
Display Area	154.08mm(W)x85.92mm(H)		
Resolution	800x480 pixel		
Display Color	16.77 Million True Color		
Backlight	LED		
Brightness	400cd/m2		
Backlight Life	More than 30000 Hours		
Touch Panel	4 Line Precision Resistance Network (Surface Hardness 4H)		
CPU	ARM RISC 32Bit 792MHz		
Storage	128MB NAND Flash Memory + 128MB DDR3 Memory		
RTC	Built-in		
Expandable Memory	1 USB Host		
Print Port	USB Host/Serial Port		
Ethernet	None	10/100MHz Self-Adaptation	10/100MHz Self-Adaptation +1 SD Card
Bus Interface	None	None	1*CANopen
Program Download	USB Slave /U Disk	USB Slave /U Disk/Ethernet	USB Slave /U Disk/Ethernet
Communication Port	COM0:RS232/RS485/RS422; COM1: RS485;COM2:RS232;		
Electrical Specification			
Input Power Supply	DC12V ~ DC28V, Built-in Isolation Power Supply		
Power Waste	TBD		
Allowable Loss of Power	<3ms		
Insulation Resistance	Over 50MΩ@500V DC		
Hi-pot Test	500 VAC 1 Minute		
Structure Specification			
Shell Material	Engineering Plastic		
Shape Size	204mm x 150mm x 34mm		
Installation Hole Size	192mm x138mm		
Weight	0.5 Kg		
Environment Specification			
Temperature of Working Environment	0 ~ 50°C		
Humidity of Working Environment	10 ~ 90%RH (non-condensing)		
Storage Environment Temperature	-20 ~ 60°C		
Storage Environment Humidity	10 ~ 90%RH (non-condensing)		
Anti-Seismic Degree	10 ~ 500Hz (X, Y, Z direction 2G/30 minute)		
Cooling Mode	Natural Air Cooling		
Certification			
Panel Protection Grade	Conforming to IP65 Certification(4208-93)		
CE Authentication	EN6100-6-4:2007,EN61000-6-2:2005		
Software			
Configuration Software	Kinco DTools V3.2 and Above Version		