

FEATURES

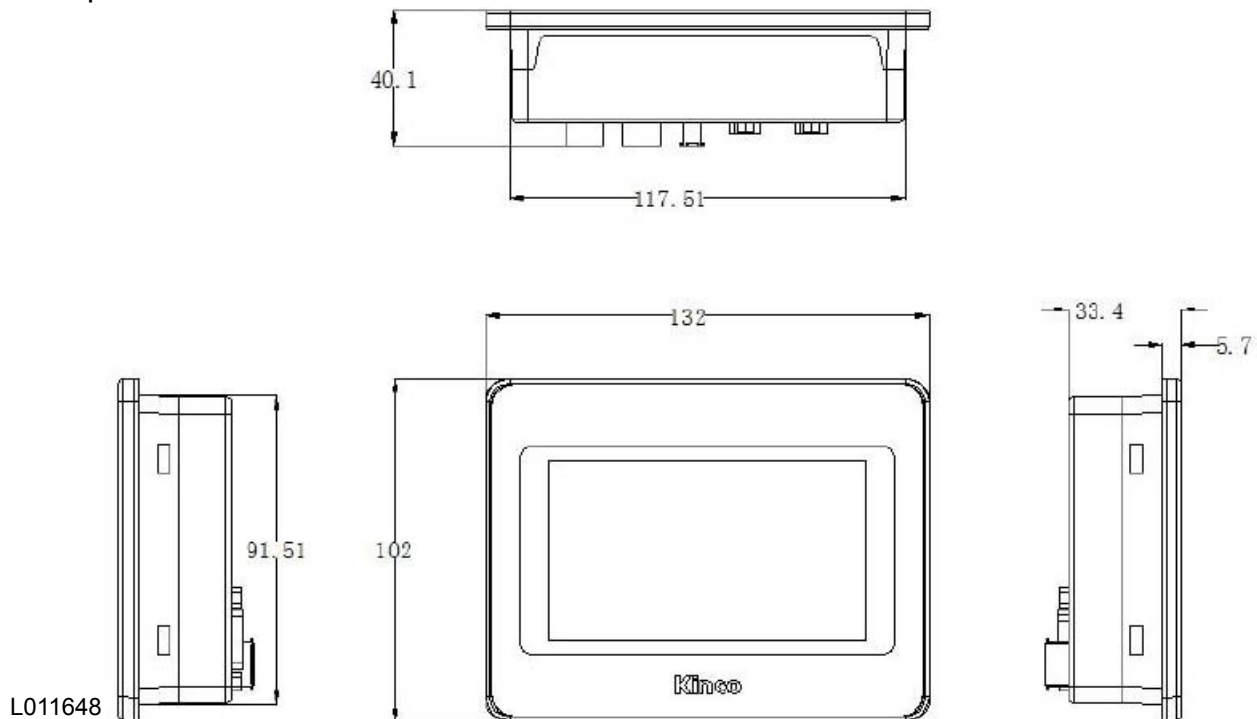
- 65536 True Colors
- LCD Lifetime up to 50,000 Hours
- 480x272 Pixels
- 4.3" LCD Display Screen
- HMI and PLC are attached
- IP65 Protection Level on Front Panel
- 24 VDC Input Voltage
- Backlight LED
- 128M Flash and 64M DDR2 Memory
- Communication Ports: USB2.0, RS485



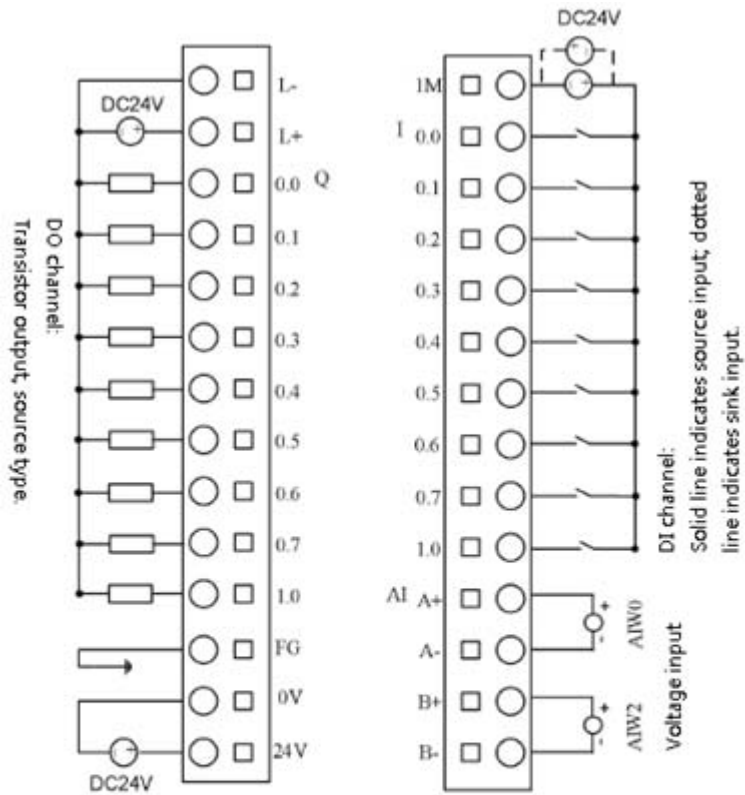
DESCRIPTION

The HP043-20DT is a combination of a HMI and PLC that provides a reliable system to help your application run smoothly and efficiently. This HMI/PLC combination comes with a 65536 color display mode that enhances your touch screen with rich color and incomparable resolution. The front screen has a protection rating of IP65, it is protected against dust ingress, and it may be subjected to low pressure water jets. On the backside the PLC is professionally attached to the HMI. The PLC provides special I/O functions, a USB2.0 (Micro USB Connector) programming port, 4 high-speed counters, 3 high-speed outputs, a RS485 communication/serial port, integrated digital input and output channels, and more. The built in high-speed pulse outputs can reach a maximum frequency of 50 KHz. The free KincoBuilder software provides absolute and relative positioning, homing, jogging, and quick stop instructions for programming the PLC functions of this device. The HP Builder software is a convenient and powerful configuration software for the HMI/screen programming that allows the creation of first-class, efficient programs. KincoBuilder and HP Builder software are both required to operate this integrated device. The HP043-20DT series is the perfect choice for a quick, easy set-up and its combination of the HMI and PLC makes it a smart choice for our customers.

DIMENSIONS



L011648



RS485 (PORT1)

	Define	PIN
RS485 +	A	6
RS485 -	B	1
	GND	5

Performance Specification	
Display	4.3" TFT (16:9)
Resolution	480x272 Pixels
Color	65,536 Colors
Backlight	LED
Brightness	250 cd/m ²
Backlight Life	50,000 Hrs
Touch Panel	4-Wire Precision Resistance Network
Processor	32-bit RISC CPU 520 MHz
Memory	128M Flash + 64M DDR2
Expandable Memory	1 USB Host
Recipe Memory & RTC	512 KB + RTC
Program Download	1 Mini USB
Serial / COM Port	1*RS485, baud rate up to 115.2kbps Support programming protocol, Modbus RTU master/slave, free protocol
Built-in Digital Points	9*DI / 9*DO
Built-in Analog Points	2*AI
Expansion Modules	None
Electrical Specification	
Rated Power	2.4W
Rated Voltage	24 VDC
Input Range	12~28 VDC
Voltage Range	DC 20.4V - 28.8V
Insulation Resistance	> 50M Ω @ 500 VDC
Dielectric Strength Test	500 VAC 1 Minute
Structure Specification	
Shell Color	Black and Grey
Shell Material	ABS
Dimensions(mm)	132 x 102 x 45
Cutout Size(mm)	119 x 93
Weight (lbs)	0.66
Environment Specification	
Operating Temperature	0°~ +50° C
Operating Humidity	10~90% Non-Condensing
Storage Temperature	-10°~ +60° C
Storage Humidity	10~90% Non-Condensing